

STI Wireless Receivers

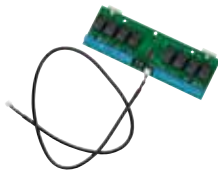
*Home &
Work Series*



STI-34104



STI-34108



STI-34188



STI-V34104

PRODUCT OVERVIEW

The 4-Channel, 4-Channel Voice or 8-Channel Receivers allow you to monitor up to 4 or 8 different STI wireless alert devices at a single, convenient location. They are supervised for low battery and signal reception and have an audible chime tone or 12 VDC output for siren. The 4-Channel Voice Receiver sounds a tune or a prerecorded programmable voice message. Offers ten tones/tunes or 53 selectable words (English or Spanish) to create a custom message up to four words. The 8-Channel Receiver offers a mirror function that can work with up to four additional 8-Channel Receivers. Devices can be latching or momentary by zone. STI offers multiple wireless products designed to alert you of several different conditions (such as: an open garage door, mail delivered, a car in the driveway, open exit door, removed fire extinguisher or activated push button, etc.).

HOW IT WORKS

The receivers supervise transmitter battery and signal reception (low battery is indicated with a short beep between 12 and 24 hours of detection).

FEATURES

- Monitor 4 or 8 devices at a single, convenient location.
- Supervised for low battery and signal reception.
- Operates up to 1000' (line of sight), 433MHz.
- Audible chime tone and 12 volt output.
- Devices can be latching or momentary by each zone. (STI-V34104 & STI-34108)
- Includes 12 volt power supply.
- **STI-34104**
 - * Monitors up to 4 devices.
 - * Distinct beep and tone for each of the four devices.
 - * Latching memory LED (flashes until reset).
 - * Input power is 12 volt, 75mA.
- **STI-V34104**
 - * Monitors up to 4 devices.
 - * Ten tones/tunes or 53 selectable words (English or Spanish).
 - * Words can be programmed in sets of up to four to create custom message.
- **STI-34108**
 - * Monitors up to 8 devices with 8 zone LED indicators.
 - * Mirror function (works with up to 4 additional 8-Channel Receivers).
 - * Dual antennas for increased signal strength.
 - * Form "C" contact for remote monitoring.
 - * 300mA, 12 volt available for siren output (with 500mA, 12 volt supply).
 - * Measures 5 ¼ x 5 ¾ x 1 ¼".
 - * Key fob available for alert or on/off.
- **STI-34188**
 - * 8-Zone Relay Board for STI-34108.
 - * 8 momentary Form "C" relay contacts rated 3A, 125 VAC, 3A 28VDC.



STI Wireless Receivers

Dimensions and Technical Information

MODELS AVAILABLE

STI-34104	4-Channel Receiver
STI-34108	8-Channel Receiver
STI-V34104	4-Channel Voice Receiver
STI-34098	Single Channel Slave Receiver (coming soon)

Sensors

STI-34101	Solar Driveway Monitor Sensor
STI-34151	Battery Driveway Monitor Sensor
STI-34201	Mailbox Alert Sensor
STI-34301	Garage Sentry Sensor
STI-34401	Universal Alert Sensor
STI-34501	Entry Alert Sensor*
STI-34601	Wireless Doorbell Button Sensor
STI-34701	Wireless Indoor Motion Detector Sensor
STI-34751	Wireless Outdoor Motion Detector Sensor
STI-6200WIR	Wireless Fire Extinguisher Theft Stopper Sensor
STI-6400WIR	Wireless Exit Stopper Door Alarm Sensor
STI-6517B	Wireless Stopper® Station Shield with Sound and Wireless Transmitter

Accessories:

STI-34105	Voltamax 12 VDC (500mA) power supply
STI-30104	Lamp Controller
STI-30105	Extended antenna
STI-34106	Key Fob
STI-34109	Repeater - Extends Transmitter range up to 1000'
STI-34188	8-Zone Relay Board for STI-34108

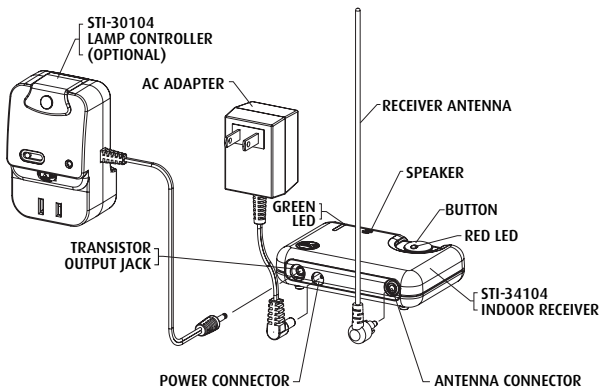
* Coming Soon

APPROVALS

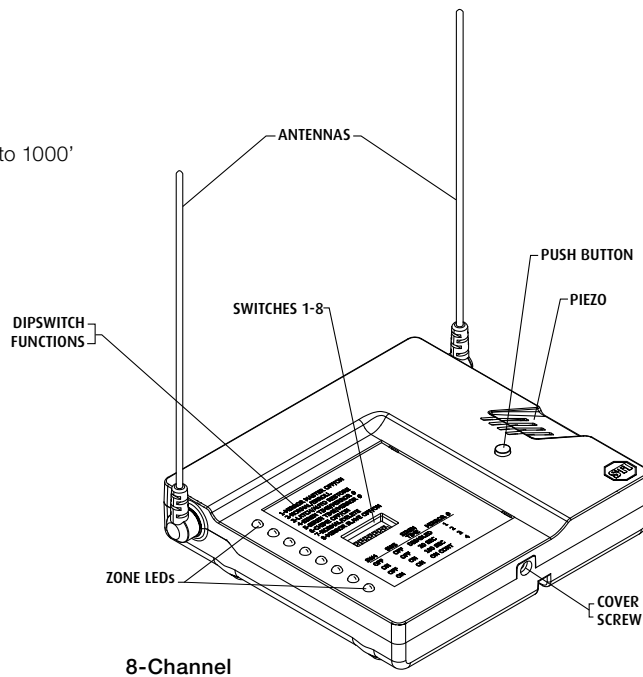
TESTING

STI-34104, STI-34108, STI-V34104

- CE
- FCC & IC Compliant



4-Channel



8-Channel



Safety Technology International, Inc.

2306 Airport Road
Waterford, Michigan
48327, USA

Tel: 248-673-9898
Fax: 248-673-1246
Toll-free: 800-888-4784
info@sti-usa.com
www.sti-usa.com

Unit 49G Pipers Road
Park Farm Industrial Estate
Redditch, Worcestershire
B98 0HU England

Tel: 44 (0) 1527 520 999
Fax: 44 (0) 1527 501 999
Free: 0800 085 1678 (UK)
www.sti-europe.com